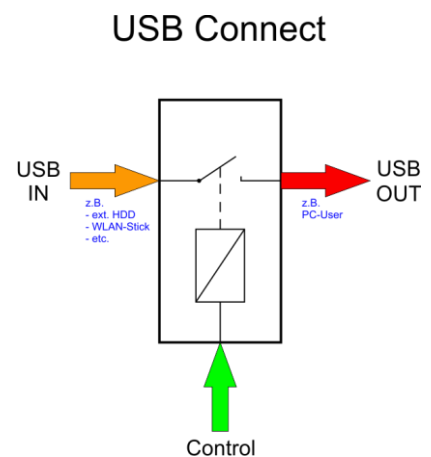


Data-Sheet USB 3.0 Connect



- PC-controlled switch to connect and to disconnect USB 3.0 devices
- Delayed Connect and disconnect of the supply lines - **behaves like USB device is handled manually**
- The USB 3.0 data lines are permanent connected
- Turns USB loads up to 1.3 A
- Connection about 2 USB 3.0 A-ports
- One suitable connection cable (length: 0.5m) is included
- Controlled USB supply voltage is fully separated from the-USB Cutter
- Application Program Interface for easy integration in user applications
- The control software [ClewareControl](#) for timed switching, [USBswitch](#) with a graphical user interface and [USBswitchCmd](#) for switching via command call is ready for [download](#).
- No driver installation needed with Windows® x86/x64 variants. (® Microsoft Windows is a registered trademark of the Microsoft Corporation.)
- Can also be used under different [Linux](#) support
- Use with LabView® possible
- RoHS, CE & EN60950 conform/ IP30
- For indoor use only
- Any switch identifies with a unique serial number
- USB cable length see cable length option
- Switch: see switch-options
- **4 years warranty**
- Made in Germany
- Available as:
 - USB-3.0 Connect S (Control via PC or extra push-button of USB ports)
 - USB-3.0 Connect M (only manual control by push-button USB ports)
 - USB-3.0 Cutter (USB connection by using software)



Customs Tariff number: 85369095

Country of origin: Germany

Item details:

Version	EAN number	Weight/g	Length/mm	Height/mm	Width/mm
USB 3.0 Connect	4251566200403	110	90	40	25
USB 3.0 Connect L	4251566200410	130	90	40	25
USB 3.0 Connect mit Schalter	4251566200427	110	90	40	25
USB 3.0 Connect mit Schalter L	4251566200434	130	90	40	25