

## Data-Sheet USB Connect



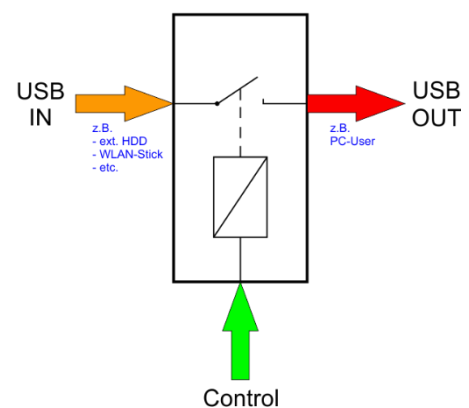
PC-controlled switch to connect and disconnect USB devices

- Additional a manuel control possible
- Manual-controlled switch to connect and disconnect USB devices
- Connects and cuts data lines and delayed the supply lines - **behaves like USB device is handled manually**
- Turns USB loads up to 1 A
- Controlled USB connection is fully seperated from the-USB Cutter
- Application Program Interface for easy integration in user applications
- The control software [ClewareControl](#) for timed switching, [USBswitch](#) with a graphical user interface and [USBswitchCmd](#) for switching via command call is ready for [download](#).
- No driver installation needed with Windows® x86/x64 variants. (® Microsoft Windows is a registered trademark of the Microsoft Corporation.)
- Can also be used under different [Linux](#) support
- Use with LabView® possible
- RoHS, CE & EN60950 conform/ IP30
- For indoor use only
- Any switch identifies with a unique serial number
- USB cable length see cable length option
- Switch: see switch-options
- **4 years warranty**
- Please find more infos here: [USB-Connect](#)
- Made in Germany

Available as:

- USB-Connect S (Control via PC or extra push-button of USB ports)
- USB-Connect M (only manual control by push-button USB ports)
- USB-Cutter (PC-controlled switch of USB ports)
- USB-Multi 2 (Switching back and forth between two USB devices)

### USB Connect



**Customs Tariff number: 85369095**

**Country of origin: Germany**

**Item details:**

| <b>Version</b>            | <b>EAN number</b> | <b>Weight/g</b> | <b>Length/mm</b> | <b>Height/mm</b> | <b>Width/mm</b> |
|---------------------------|-------------------|-----------------|------------------|------------------|-----------------|
| USB connect               | 4251566200052     | 100             | 90               | 25               | 40              |
| USB connect L             | 4251566200069     | 130             | "                | "                | "               |
| USB connect with switch   | 4251566200076     | 100             | "                | 35               | "               |
| USB connect with switch L | 4251566200083     | 130             | "                | "                | "               |